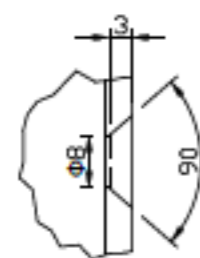
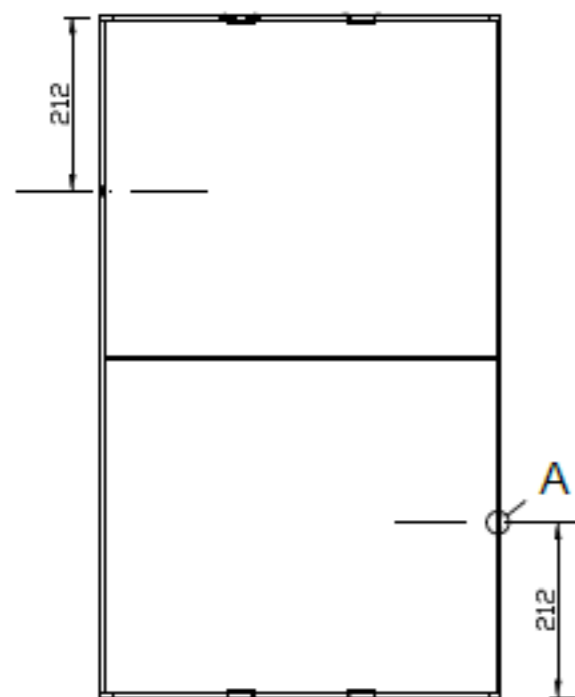


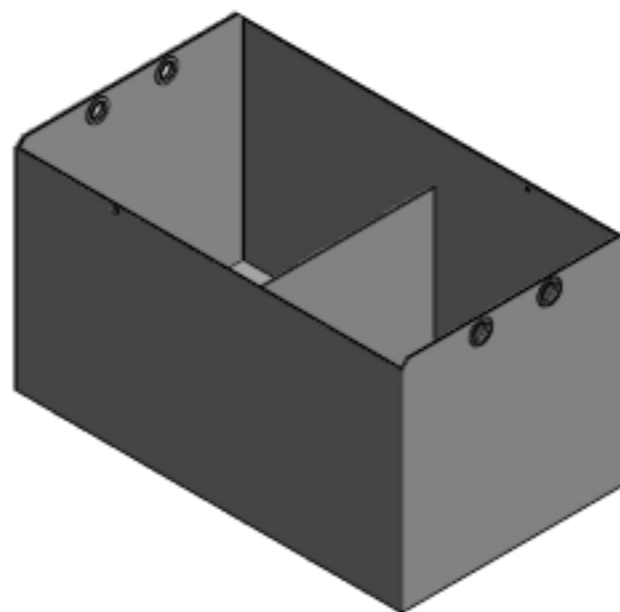
B (1:2)



A (1:1)

REMARK

- Dimensions without coating



Pos	CELL TYPE	L	W	C	H1	H2	H3	T	Weight ±5%
1	2 PzS 160	827	162	56	447	462	340	4	34 kg
2	3 PzS 240		216	56					38 kg
3	4 PzS 320		270	100					42 kg
4	5 PzS 400		324	100					45 kg
5	6 PzS 480		378	100					49 kg
6	7 PzS 560		432	148					53 kg
7	8 PzS 640		486	148					56 kg
8	2 PzS 180		827	162					56
9	3 PzS 270	216		56	43 kg				
10	4 PzS 360	270		100	47 kg				
11	5 PzS 450	324		100	52 kg				
12	6 PzS 540	378		100	56 kg				
13	7 PzS 630	432		148	60 kg				
14	8 PzS 720	486		148	64 kg				
15	10 PzS 900	597		148	72 kg				
16	2 PzS 250	827	162	56	612	627	500	4	46 kg
17	3 PzS 375		216	56					50 kg
18	4 PzS 500		270	100					55 kg
19	5 PzS 625		324	100					59 kg
20	6 PzS 750		378	100					63 kg
21	7 PzS 875		432	148					68 kg
22	8 PzS 1000		486	148					72 kg
23	9 PzS 1125		543	148					77 kg
24	10 PzS 1250	597	148	82 kg					
25	3 PzS 465	832	220	56	769	784	680	6	90 kg
26	4 PzS 620		270	100					97 kg
27	5 PzS 775		328	100					104 kg
28	6 PzS 930		382	100					111 kg
29	7 PzS 1085		436	148					119 kg
30	8 PzS 1240		490	148					125 kg
31	10 PzS 1550		601	148					141 kg