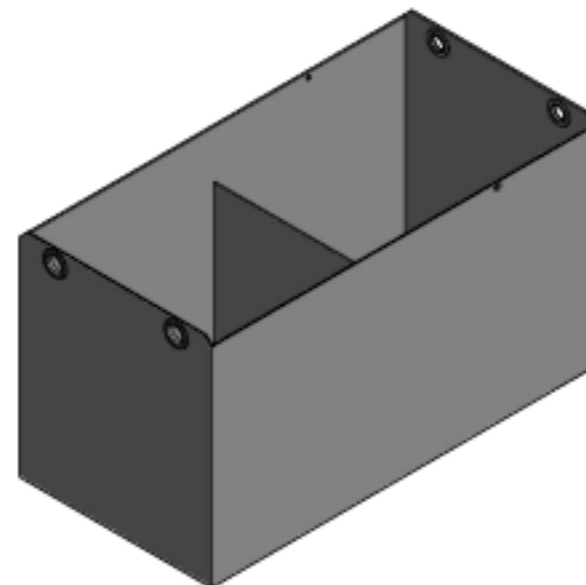


A (1:2)



### REMARK

- Dimensions without coating

Pos	CELL TYPE	L	W	C	H1	H2	H3	T	Weight ±5%
1	3 PzS 160	827	303	140	447	462	340	4	44 kg
2	3 PzS 240		411	260					51 kg
3	4 PzS 320		519	330					58 kg
4	5 PzS 400		627	404					65 kg
5	6 PzS 480		735	476					72 kg
6	7 PzS 560		843	550					78 kg
7	8 PzS 640		951	620					87 kg
8	3 PzS 270		827	411					260
9	4 PzS 360	519		330	66 kg				
10	5 PzS 450	627		404	75 kg				
11	6 PzS 540	735		476	83 kg				
12	7 PzS 630	843		550	88 kg				
13	8 PzS 720	951		620	98 kg				
14	3 PzS 375	827	411	260	612	627	500	4	66 kg
15	4 PzS 500		519	330					75 kg
16	5 PzS 625		627	404					83 kg
17	6 PzS 750		735	476					92 kg
18	7 PzS 875		843	550					101 kg
19	8 PzS 1000	951	620	108 kg					
20	3 PzS 465	832	415	260	769	784	680	6	117 kg
21	4 PzS 620		523	330					131 kg
22	5 PzS 775		631	404					146 kg
23	6 PzS 930		739	476					160 kg